

Typical Applications

- General structural integrity monitoring (Bridges, buildings, dams, tunnels, levies, etc.)

Features & Benefits

- **Long lifetime** (battery life of 10 years)
- **Wireless communication** (IEEE 802.15.4)
- **Lightweight**, about 120 gr
- **Easy mounting**
 - Self-adhesive, no drilling is required (e.g. steel)
 - Flange-mount, drilling is required (e.g. concrete)
- **Quick installation**, 1-2 minutes
- **Adjustable sampling interval**: 0-400 samples per second
- **Resolution options**: 0.1mg , 1.0mg
- **Full range**: adjustable $\pm 2g$, $\pm 4g$, or $\pm 8g$.
- **Working temperature**: -40 to +150°F (-40 to +65°C)
- **Shock survival**: 1000g, 0.1s, no damage to the electronics
- **Long communication range**: 0.62mile (1.0Km) free space
- **Ingress Protection**: IP65, weatherproof and protected against rain, snow, and UV exposure
- **Small size**: 1.96" x 1.96" x 1.34"
- **Power source**: replaceable lithium-ion battery



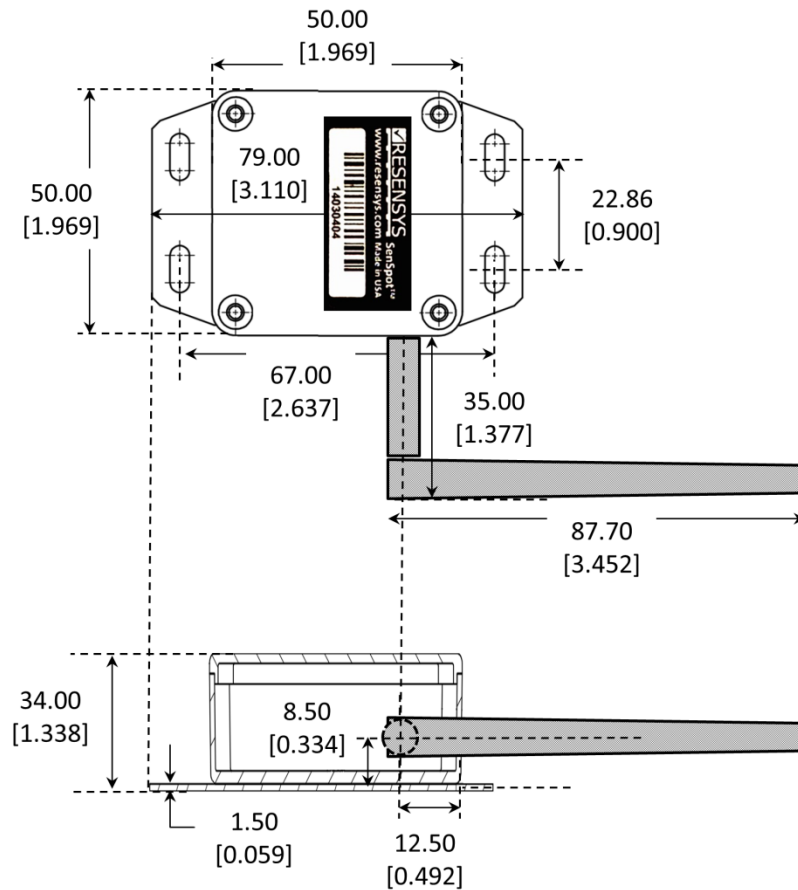
Description

SenSpot™ provides an easy to install, scalable solution for distributed structural integrity monitoring. SenSpot™ vibration uses Resensys's accurate measurement, large-scale sensing, wireless synchronization, and ultra-energy efficient wireless communication.

SenSpot™ is designed to operate maintenance-free for decades. After installation, SenSpot™ does not need calibration, battery replacement, or any other maintenance during its entire service life. Due to small size and lightweight, adhesive-mount SenSpot™ sensors can be applied easily to as many critical spots on a structure as needed, with minimal installation effort. SenSpot™ vibration can be used on different elements of a structure to monitor vibration.

SenSpot™ - Wireless Vibration

Vibration SenSpot comes in either self-adhesive or flange-mount form factors. A general diagram of this unit is shown below.



All dimensions are in mm [inch].