

Typical Applications

Indoor and outdoor distributed monitoring (aircraft, buildings, bridges, machinery, etc.)

Benefits

- **Long lifetime** (minimum expected life without battery replacement 10 years)
- **Wireless communication** (IEEE 802.15.4)
- **Lightweight**, about 135 gr
 - Wireless transmitter: 120 gr
 - Cable (1ft): 10 gr
 - Humidity/Temperature sensor: 5 gr
- **Easy mounting**
 - Self-adhesive, no drilling (e.g. steel)
 - Flange-mount, drilling (e.g. concrete)
- **Quick installation**, 1-2 minutes
- **Adjustable sampling interval**
- **Resolution**: 1 percent (humidity) , 0.5 °C (Temperature)
- **Working temperature**: -40 to +150°F (-40 to +65°C)
- **Long communication range**: 1.0km free space
- **Small size**:
 - Wireless transmitter: 1.96" x 1.96" x 1.34"
 - Humidity/Temperature sensor: 4.30"x1.30"x0.25 "
- **Power source**: replaceable prime lithium-ion battery
- **Probe length**: 1, 3, and 5 ft (up to 200 ft)

Description

SenSpot™ provides an easy to install, scalable solution for distributed structural integrity moni-



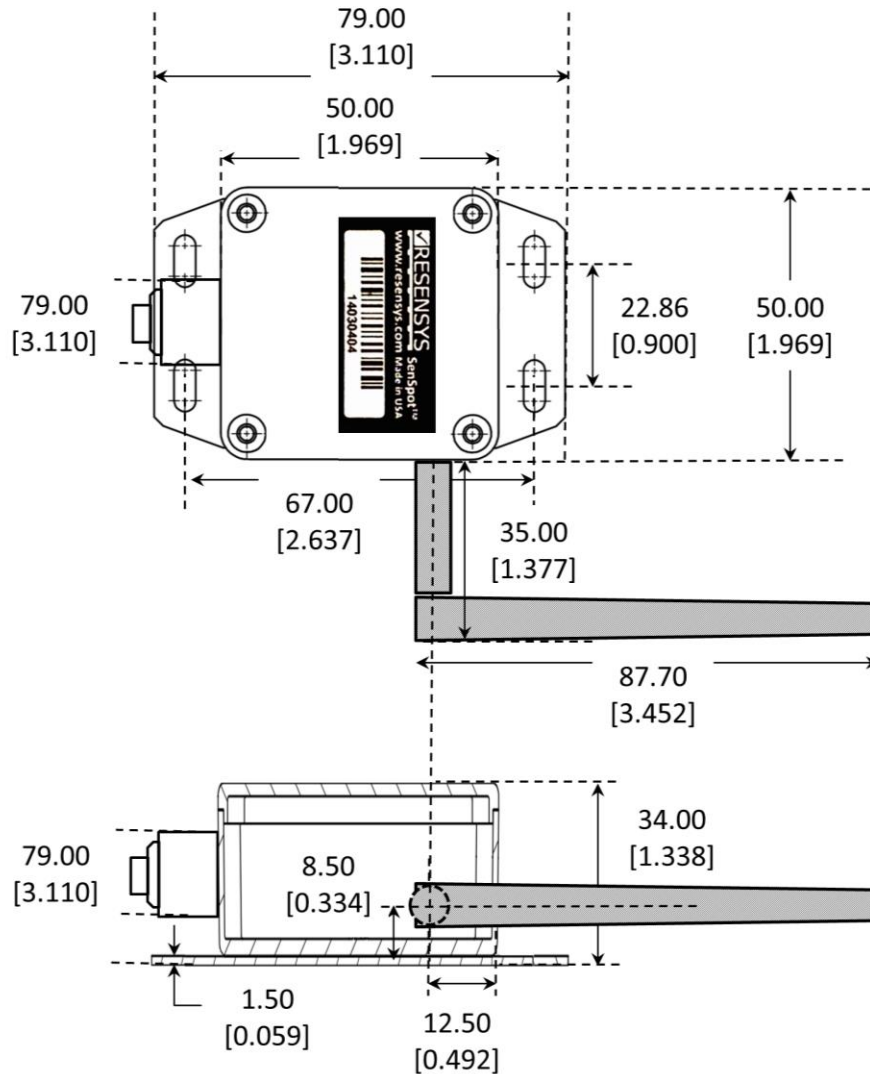
SenSpot™ Humidity/Temperature

toring. SenSpot™ Humidity/Temperature uses Resensys's proprietary Active RF Technology, similar to other SenSpot™ in its family. Resensys ART technology offers a high performance method for large-scale sensing, wireless synchronization, and ultra-energy efficient wireless communication.

SenSpot™ is designed to operate maintenance-free for decades. SenSpot can operate for at least 10 years without battery replacement. Due to small size and lightweight design, the adhesive-mount SenSpot™ can be applied easily to as many critical spots on a structure as needed, with minimal installation effort. SenSpot™ Humidity/Temperature has a measurement probe which can easily extend the data point to even inside and inaccessible area of a structure. The probes can be customized to be up to 200 feet long.

SenSpot - Wireless Transmitter

Wireless transmitter is universal and it reads the analog measurement from the sensing element and transmits the digitized data wirelessly to SeniMax. These units come in either self-adhesive or flange-mount form factors.



All dimensions are in mm (inch)