

## Typical Applications

- Ambient temperature and humidity monitoring

## Features & Benefits

- **Long lifetime:** (battery life of 10 years)
- **Wireless communication:** IEEE 802.15.4
- **Lightweight (about 130 gr)**
  - Wireless transmitter: 4.2 ounces (120 grams)
  - Sensing probe (typical 1ft probe cable): 0.35 ounces (10 grams)
- **Adjustable sampling interval**
- **Resolution:** 1 percent humidity , 1 °F (0.5 °C) temperature
- **Working temperature:** -40 to +150°F (-40 to +65°C)
- **Long communication range:** 0.62mi (1.0km) free space
- **Customizable probe length:** up to 20ft (6m)
- **Ingress Protection:** IP65, weatherproof and protected against rain, snow, and UV exposure
- **Small size:**
  - Wireless transmitter: 1.96" x 1.96" x 1.34" (50 mm x 50 mm x 34 mm)
- **Power source:** replaceable lithium-ion battery

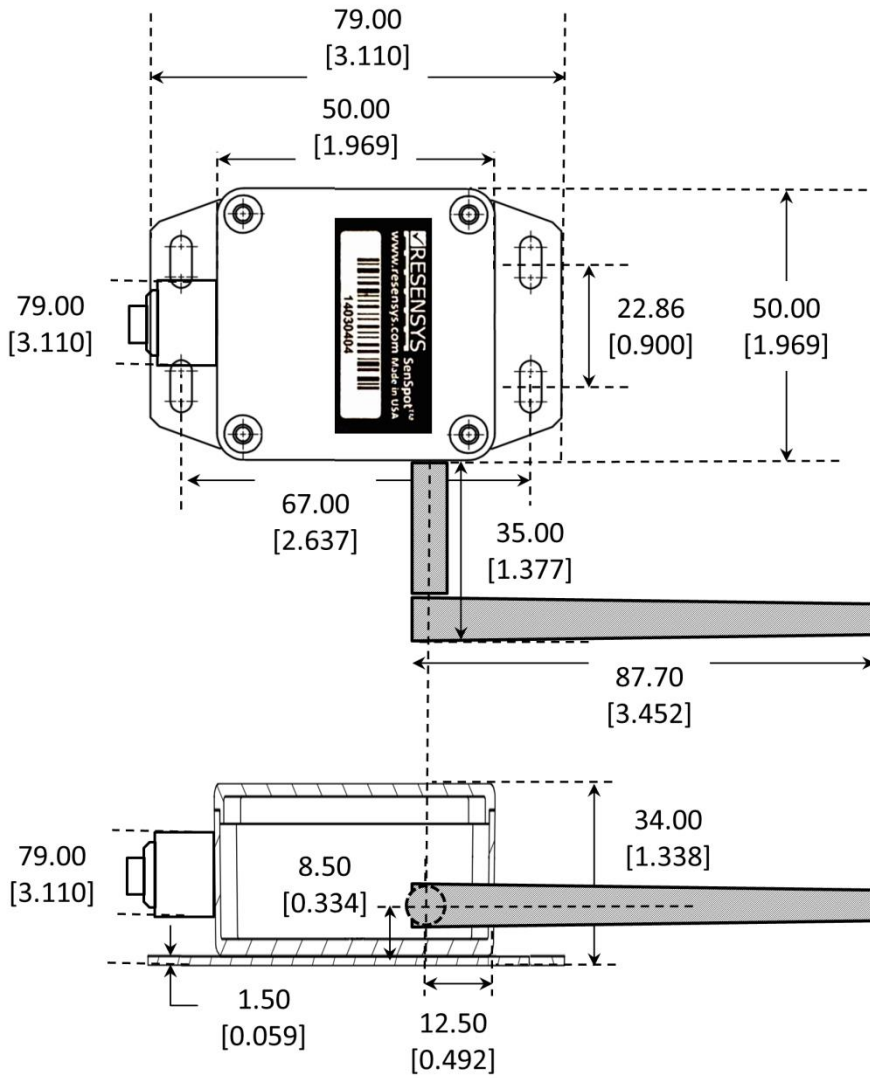


SenSpot™ is designed to operate maintenance-free for more than a decade. After installation, SenSpot™ does not need calibration, battery replacement, or any other maintenance for at least 10 years. Due to small size and lightweight, SenSpot™ sensors can be applied easily to as many critical spots on a structure as needed, with minimal installation effort.

## Description

SenSpot™ provides an easy to install, scalable solution for distributed structural integrity monitoring. SenSpot™ Temperature/Humidity sensor uses Resensys's proprietary technology for reliable and accurate measurement, synchronization, and energy efficient wireless communication.

# SenSpot™ - Wireless Transmitter



All dimensions are in mm [inch].