

Typical Applications

- Bridge health monitoring
- General structural integrity monitoring (buildings, dams, tunnels, etc.)

Features & Benefits

- **Ultra-low-power** (battery life of 10 years)
- **Wireless communication:** IEEE 802.15.4
- **Lightweight:** 6.3 ounces (180 grams)
- **Flange-mount (or adhesive-mount) installation**
- **Adjustable sampling interval**
- **Resolution:** 0.5 arc seconds (0.00016 degrees)
- **Full range :** ± 1.0 degrees, ± 10 degrees, single axis and dual axis options
- **Working temperature:** -40 to +150°F (-40 to +65°C)
- **Long communication range:** 0.62mile (1.0Km) free space
- **Small size:** 4.0" x 1.97" x 1.0"
- **Ingress Protection:** IP65, weatherproof and protected against rain, snow, and UV exposure
- **Power source:** replaceable lithium ion battery

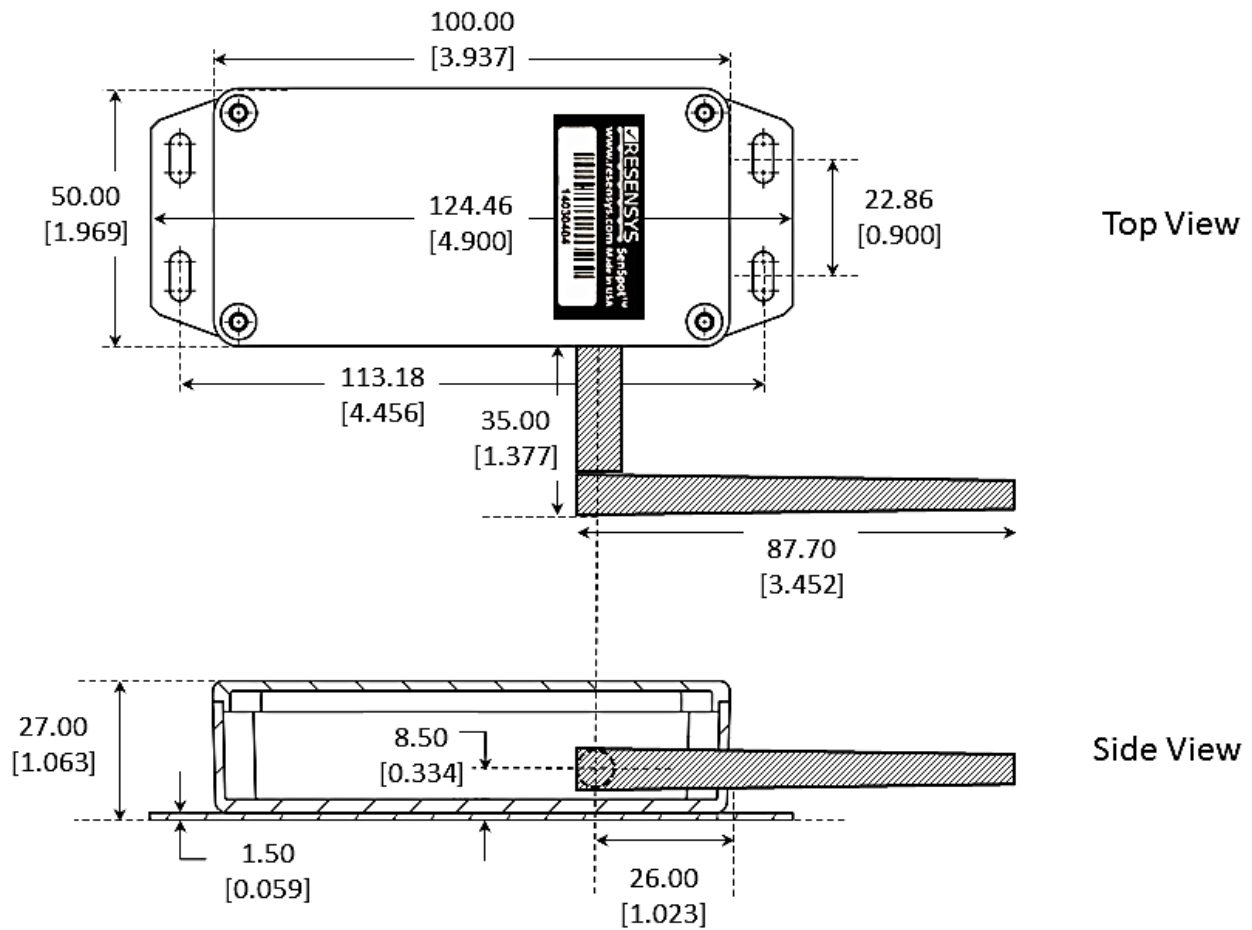
Description

SenSpot™ provides an easy to install, scalable solution for distributed structural integrity monitoring. SenSpot™ inclination/tilt uses Resensys's proprietary technology for reliable and accurate measurement, large-scale sensing, wireless synchronization, and ultra-energy efficient wireless communication.

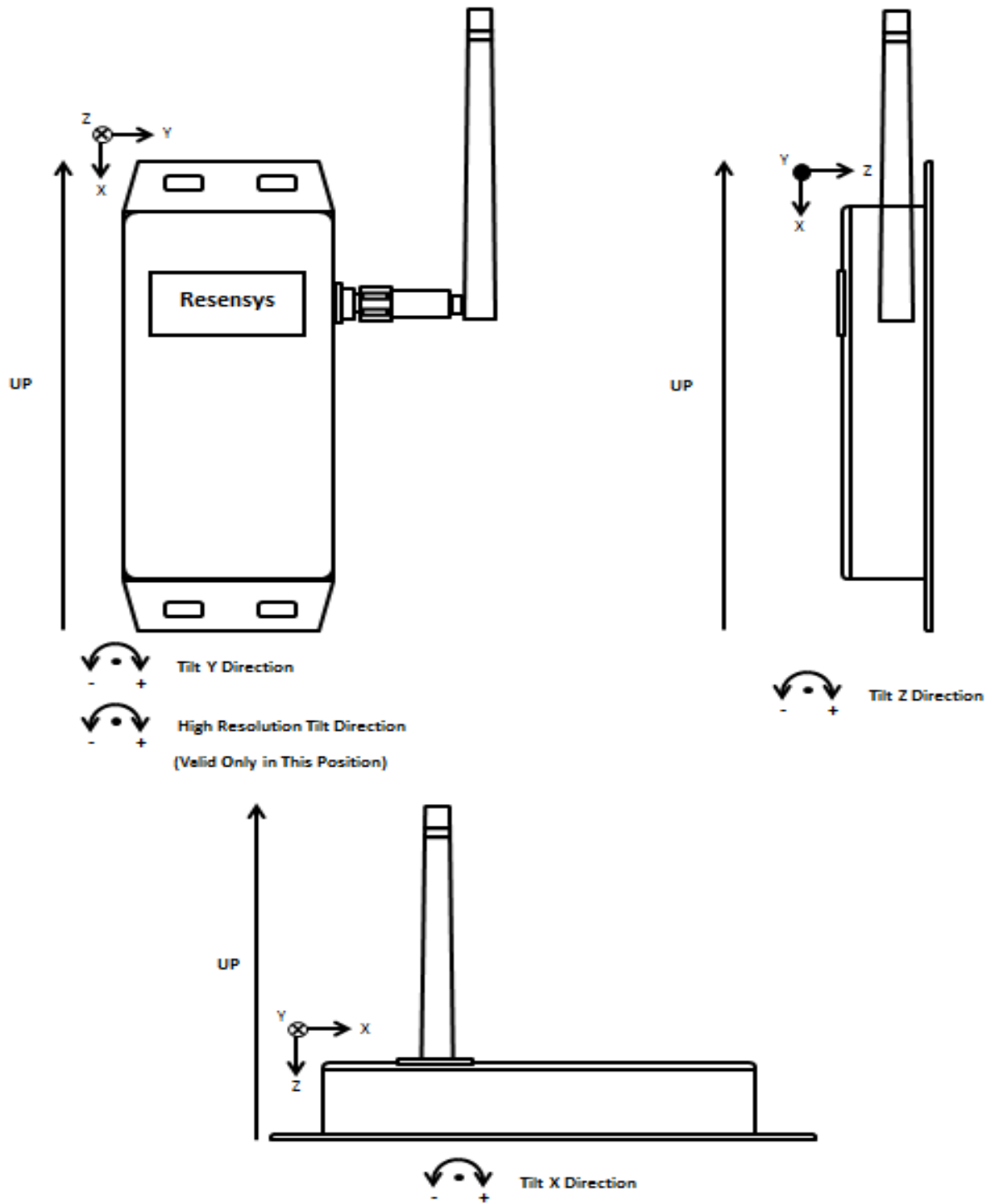


SenSpot™ is designed to operate maintenance-free for more than a decade. After installation, SenSpot™ does not need calibration, battery replacement, or any other maintenance for at least 10 years. Due to small size and lightweight, SenSpot™ sensors can be applied easily to as many critical spots on a structure as needed, with minimal installation effort.

As a part of the Resensys solution for integrity monitoring system, SenSpot™ inclination/tilt can be used to monitor smallest movements of structural components such as piers, decks, bearings on a highway bridge. In addition, SenSpot™ inclination/tilt monitors changes in these quantities as the structure expands or contracts as a result of temperature variations. In addition to bridges, SenSpot™ inclination/tilt can be used in a variety of other structures. Examples include buildings, dams, etc.



All dimensions are in mm [inch].



All dimensions are in mm [inch].